



LC1980/1

REV1.0-Revised DEC 2007

WLED Linear Driver For Li-Ion Battery Application

DESCRIPTION

The LC1980/1 is a CMOS based White/Blue LED driver with stand-alone capability. The driver is primarily designed for LED backlighting of LCD display powered by Li-ion battery. With its high efficiency, low standby current and wide range of input supply voltage, the LC1980/1 is suitable for applications such as portable device display and keypad backlighting.

In portable application, three or four-channel LED solutions are popular. LC1980 has three LED channels with a SOT-23-6 package. LC1981 has four LED channels with a SOP-8 package.

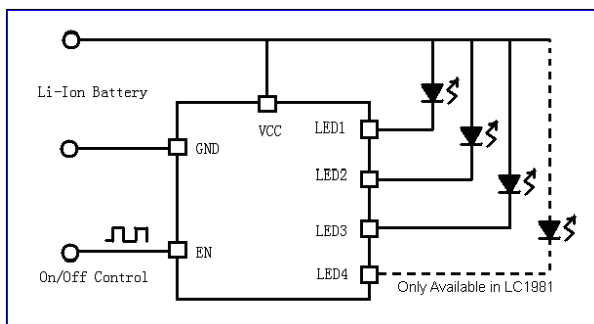
FEATURES

- No external component required
- PWM dimming control available
- Low noise and EMI
- LED sink current of 20mA
- Independent current sink circuit for each LED output
- Versatile supply voltage range
- Low standby current
- High accuracy current match on each channel

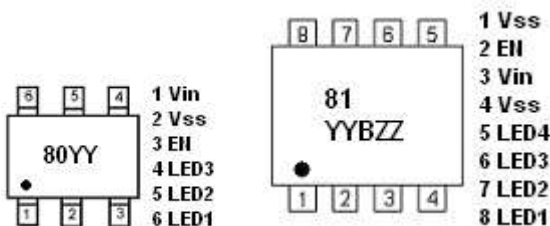
APPLICATIONS

- Small Size Color LCD Backlights Driver
- Mobile Phone, Portable Device Keypad Backlights Driver

TYPICAL APPLICATION



PIN CONFIGURATION



ORDERING INFORMATION

LC1980 [1](#) [2](#) [3](#)

Code	Description
1	Temperature&Rohs: C:-40~85°C ,Pb Free Rohs Std.
2	Package type: B6:SOT-23-6
3	Packing type: TR:Tape&Reel (Standard)

LC1981 [1](#) [2](#) [3](#)

Code	Description
1	Temperature&Rohs: C:-40~85°C ,Pb Free Rohs Std.
2	Package type: D8:MSOP8
3	Packing type: TR:Tape&Reel (Standard)