



# LC5040

REV1.1-Revised Aug 2008

## 550V INTEGRATED HALF-BRIDGE DRIVER

### Description

The LC5040 is an integrated high-speed half bridge power MOSFET driver. Our proprietary DBiCMOS technologies provide stable operation under high dv/dt noise circumstances. The output drivers feature a high pulse current buffer stage designed for minimum driver cross-conduction. The floating channel can be used to drive an N-channel power MOSFET in the high side, which operates up to 550V. The logic input is compatible with standard CMOS or LSTTL, down to 3.3V logic. Cross conduction prevention logic and dead-times are built in to simplify the applications.

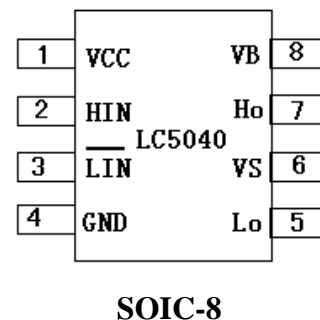
### Features

- DBiCMOS technologies, low power dissipation and high output current
- Internal 5V LDO, CMOS and LSTTL logic (5V and 3.3V) compatible
- Under voltage lockout
- Cross conduction prevention logic
- Gate drive supply range from 10V to 16V
- Internal set deadtime
- High side output in phase with HIN input
- Low side output out of phase with LIN input.

### Marking Information

Product Classification		LC5040CD8TR
Marking		
DM NN B YY	DM: Product Code	
	NN: LOT NO.	
	B: FAB Code	
	YY: Date Code	

### Lead Assignments



### Typical Connection

