

DESCRIPTION

LC1460 series is a group of positive voltage output, high PSRR, low dropout voltage regulator. Voltages are selectable in 100mV steps within a range of 1.2V to 3.6V. It also can be customized on command.

LC1460 includes high accuracy voltage reference, error amplifier, current limit circuit, and output driver module.

LC1460 has excellent load and line transient response and good temperature characteristics, which can assure the stability of chip and power system. And it uses trimming technique to guarantee output voltage accuracy within $\pm 2\%$.

LC1460 is available in SOT-23-5, SC-70-5 packages which is lead (Pb)- free

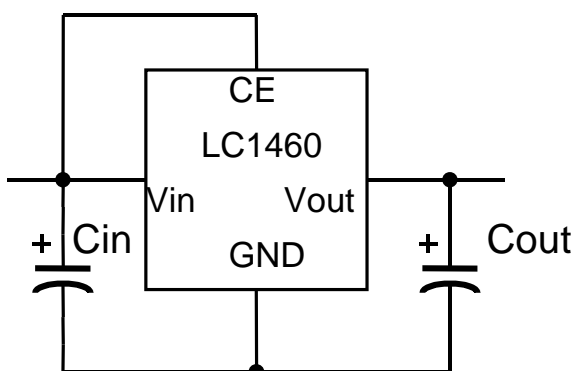
FEATURES

- 72dB PSRR at 100Hz
- Power Consumption: 100uA (Typ.)
- Lower to 47uVRMS output noise
- Standby current: 0.1uA
- Low 480mV dropout at 300mA load
- Low Temperature Coefficient: $\pm 100\text{ppm}/^\circ\text{C}$
- Excellent Line regulation: 0.05%/V
- 1.2V to 3.6V Factory-Preset Output
- Output Current Limit
- Build-in chip enable circuit
- Highly Accurate: $\pm 2\%$

APPLICATIONS

- Cellular phones
- Cordless phones and radio communication equipment
- Battery Powered equipment
- Notebook and hand-hold equipment
- Wireless LAN
- GPS receivers

TYPICAL APPLICATION



NOTE:

Input capacitor ($C_{in}=1\mu\text{F}$) and Output capacitor ($C_{out}=1\mu\text{F}/2.2\mu\text{F}$) are recommended in all application circuits.

PSRR CHARACTERISTICS

